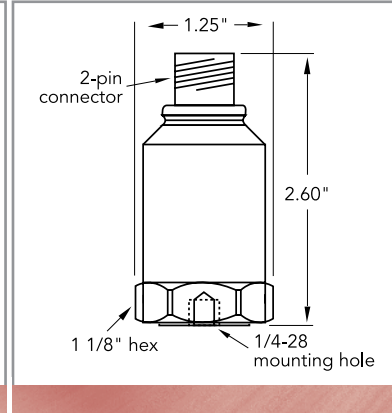


9100VO-HO2 Sensor Velocity High Output

FEATURES:

- Industrial ruggedness
- Eliminates distortion caused by high frequency signals
- Corrosion-resistant
- Internally integrated to velocity
- Ultra low-noise electronics for clear signals at very low vibration levels
- Miswiring protection



SPECIFICATIONS (PRELIMINARY)

DYNAMIC

| | | |
|---------------------------------------|-------|------------------|
| Sensitivity, $\pm 5\%$, 25° C | ----- | 1080 mV/(in/sec) |
| Velocity Range | ----- | 5 in/sec peak |
| Amplitude Nonlinearity | ----- | 1% |
| Frequency Response, nominal: | | |
| $\pm 10\%$ | ----- | 6.5 - 2500 Hz |
| $\pm 3\text{dB}$ | ----- | 4 - 4800 Hz |
| Resonance Frequency, mounted, nominal | ----- | 10 kHz |
| Transverse Sensitivity, max | ----- | 8% of axial |
| Temperature Response | ----- | See graph |

ELECTRICAL

| | | |
|---|-------|-------------------------------------|
| Power Requirement: | | |
| voltage source | ----- | 18 - 30 VDC |
| current regulating diode ^(Note1) | ----- | 2 - 10 mA |
| Electrical Noise, equiv. nominal | | |
| Broadband 2.5 Hz to 25 kHz | ----- | 100 ($\mu\text{in/sec}$)/root Hz |
| Spectral 10 Hz | ----- | 6.5 ($\mu\text{in/sec}$)/root Hz |
| 100 Hz | ----- | 0.6 ($\mu\text{in/sec}$)/root Hz |
| 1,000 Hz | ----- | 0.05 ($\mu\text{in/sec}$)/root Hz |
| Absolute Phase shift, nom., the greater of | ----- | Not available |
| Output Impedance, nominal 4mA supply | | |
| the greater of: | ----- | 100000/f or 10000 Ohms |
| Bias Output Voltage, nominal: | ----- | 10 VDC |
| Grounding | ----- | Case isolated, internally shielded |

ENVIRONMENTAL

| | | |
|--|-------|-----------------------------------|
| Temperature Range (mounting surface) | ----- | -50 to 120°C ^{2 (Note1)} |
| Vibration Limit | ----- | 250 g peak |
| Shock Limit | ----- | 2,500 g peak |
| Electromagnetic Sensitivity, equiv. in/sec | ----- | 25 $\mu\text{in/sec/gauss}$ |
| Sealing | ----- | Hermetic |
| Base Strain Sensitivity | ----- | 0.001 in/sec/ μstrain |

PHYSICAL

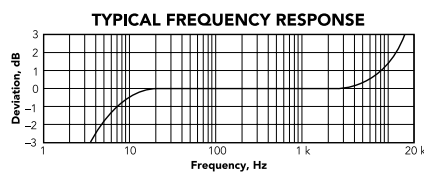
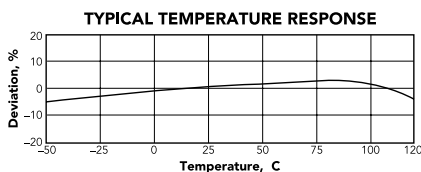
| | | |
|------------------|-------|-------------------------|
| Weight | ----- | 240 grams |
| Case Material | ----- | 316L stainless steel |
| Mounting | ----- | 1/4 - 28 tapped hole |
| Output Connector | ----- | MIL-C-5015 style, 2-pin |
| Pin A | ----- | Signal, Power |
| Pin B | ----- | Common |

9100VO-HO2 Sensor - Velocity High Output

NOTES:

1. A maximum current of 6 mA is recommended for operating temperatures in excess of 100° C.
2. Maximum temperature for interconnect cable - 80° C

ACCESSORIES SUPPLIED: mounting stud, Calibration Data



* Ordering Information

| Model | Description | P/N |
|------------|--|--------|
| 9100VO-HO2 | Velocity Output accelerometer - 1080 mV/in/sec, 4 - 4800 Hz (3dB), top exit, Mil Spec connector. | E44445 |



www.irdbalancing.com
sales@irdbalancing.com

IRDBalancing Offices

USA: Louisville, KY

(1) 502.366.0916 phone
(1) 502.238.1001 fax