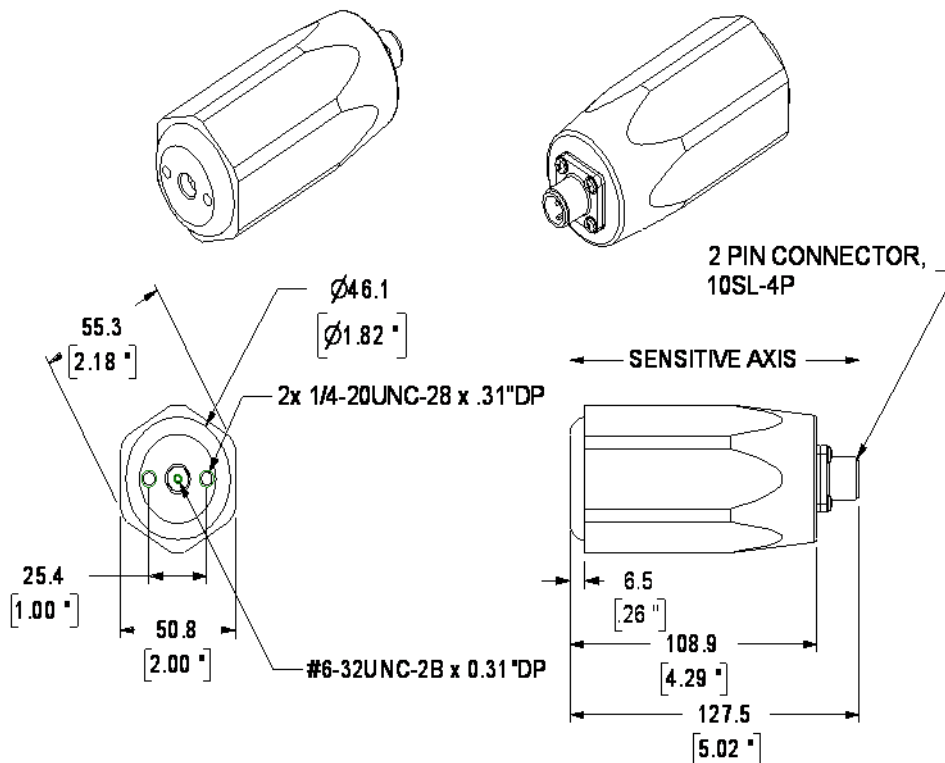


## Model 546DP

## VELOCITY TRANSDUCER

The Model 546DP is a high-sensitivity velocity transducer with moving internal solenoid for direct prod (DP) attachment to vibrating parts. With the optional probe magnetically attached to the vibrating part and the case rigidly mounted to a fixed reference, voltage output is directly proportional to vibration velocity. The magnetic probe eliminates alignment problems when installing the transducer.

### Line Drawing:



### Installation:

1. Optional probe should be attached to vibrating object using magnetic tip (P/N E10170). Do not exceed limits of probe travel.
2. Connector pin A is signal ground and housing ground; pin B is signal.
3. When purchased with mounting bracket and magnetic tip (E11194), the bracket should be mounted to a fixed reference surface. The magnetic tip should contact the vibrating object.



# 546DP

## Model 546DP

## VELOCITY TRANSDUCER

GENERAL SPECIFICATIONS	
Frequency Response	2 to 200 Hz within $\pm 5\%$ @ 70°F (21°C)
Sensitivity	1080 $\pm 10\%$ mV/in/s peak (42.52 mV/mm/s)
Dynamic Range	0 - 125 mils pk-pk
Impedance	R=2 k $\Omega$
Magnetic Field Sensitivity	0.15 in/s/Gauss
Probe Travel	.375" (9.5 mm) peak-peak
Connector	2-pin (10SL-4P)
Grounding	Case and signal ground common
Mounting	The case must be rigidly mounted to a solid base. The probe can be directly connected to the moving part by the magnet.
Mounting Orientation	Sensitive axis horizontal
Weight	2 lbs (.9kg)
Temperature Range	-40° to 250° F (-40° to 121° C)

Ordering Information for Model 546DP	
Part Number	Description
E02785	Model 546DP Vibration Sensor
E10170	Magnetic tip
E04521-12' E04690-25' E04691-50'	Instrument interconnect cables for IRD Models 220/230/236/246/260/290/330 and 350, 3-pin connectors
E20433-12' E30219-25'	Instrument interconnect cables for IRD Models 220/230/236/246/260/290/330 and 350, 9-pin circular twist-on connectors