

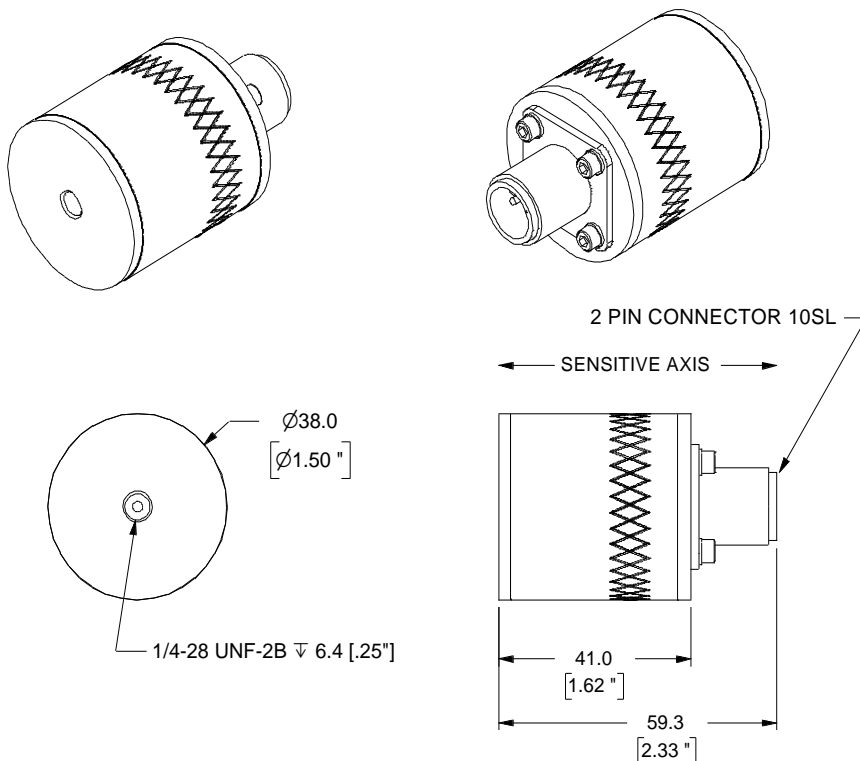
## Model 970i ACCELEROMETER

The IRD Model 970i is a rugged, low impedance accelerometer for use with portable instruments on all types of industrial equipment. The Model 970i incorporates the industry standard IEPE constant current interface. This is a low-output impedance, constant-current drive amplifier with a low-noise floor. The 970i design is based on the proven performance of the IRD Model 970 accelerometer. The Model 970i is sealed against dust and moisture and operates up to a temperature of 250° F (121°C).

A single ¼ - 28 mounting stud is used for attaching the accelerometer to a flat surface. Insulated mounting adapters are available for those cases where ground potential problems may exist between the transducer mounting surface and the instrument. Operating power and current for the accelerometer are supplied externally, typically from the instrument.



### Line Drawing:



970i

# Model 970i

# ACCELEROMETER

GENERAL SPECIFICATIONS	
Frequency Response	5 - 3000Hz $\pm$ 10% @ 70°F (21°C)
Sensitivity	50mv/g $\pm$ 10% @ 100Hz
Dynamic Range	.001—75g peak
Resonance	27 kHz mounted, nominal
Grounding	Case isolated from signal ground
Power Requirement	+15 to +24 VDC 2mA to 8mA constant current
Signal Output Bias Voltage	+7 to +11 VDC
Housing	300 series stainless steel, waterproof, dustproof, welded case
Transverse Response	5% average
Residual Noise	Less than 0.0004g broadband-transducer output
Temperature Range	-30° to 250° F (-35° to 121° C)
Connector	2 pin, MS-type
Shock	1000g peak
Mounting	1/4" - 28 tapped hole, 1/4" deep
Weight	7.7 oz (220 grams)

Ordering Information for Model 970i	
Part Number	Description
E38946	Model 970i Accelerometer
E10308	Insulated Mounting Stud
E04332	Large Magnetic Holder
E24746	Small Magnetic Holder
E01103	Straight Probe

USA Headquarters:  
IRD LLC

Telephone: (1) 502 366 0916 Fax: (1) 502 238 1001  
4740 Allmond Ave. Louisville, KY 40209, USA

Specifications are subject to change without prior notice.

Copyright © 2015 IRD<sup>®</sup>  
All rights reserved.

Publication No: E51332  
Rev 2, 21 May 2015